

CAT5 AV Splitter

----- User Guide -----



Audio & Video Splitter

5UM40066 - V1 8/01

Table of Contents

| | |
|--|-----------|
| Introduction | 1 |
| The CAT5 AV Splitter | 1 |
| Features | 2 |
| Overview | 3 |
| Installing the AV Splitter system | 5 |
| Connecting the Central unit | 5 |
| Connecting the remote units | 8 |
| Operating the AV Splitter system | 10 |
| Adjusting the screen picture | 10 |
| The Long Range Remote unit – Adjusting the brightness | 10 |
| Adjusting the volume | 11 |
| Technical Specifications | 12 |

Introduction

Minicom Advanced Systems Ltd (Minicom) is a leading manufacturer of KVM switches for multiple server control. Minicom also manufactures interactive systems for Computer Equipped Learning Environments. It is also the world leader in the development and deployment of cutting edge CAT5 technology.

The CAT5 AV Splitter

The CAT5 AV Splitter (AV Splitter) system from Minicom simultaneously broadcasts audio and video signals to 2 or 4 Remote monitors and speakers up to 250m / 820ft away.

The AV Splitter system is made up of:

- A Central unit – 2 or 4 port model
- 2 or 4 remote units

The remote units come in 2 different models – The Remote unit and the Remote Long Range unit.

The Remote unit receives audio and video signals up to 110m / 360ft away.

The Remote Long Range unit receives audio and video signals up to 250m / 820ft away.

Features

- Pure hardware Plug and Play
- Two Remote models to choose from
- Compatible with all major brands of Sound cards
- Cascadable
- Supports high resolution monitors (1280x1024)
- Transmits audio and video signals along CAT5 cable
- Individual picture adjustment

Overview

The AV Splitter system consists of:

A Central unit – either a 2 or 4 port model

Plus the following:

- VGA cable
- Stereo Plug cable
- Power adapter - either 110V or 220V
- Power cord

Remote or Remote Long Range units

Plus the following:

- Power adapter - either 110V or 220V
- Power cord

Use CAT5 cables to connect the remote units to the Central unit.

Figure 1 illustrates the AV Splitter system configuration for the 4-port Central unit.

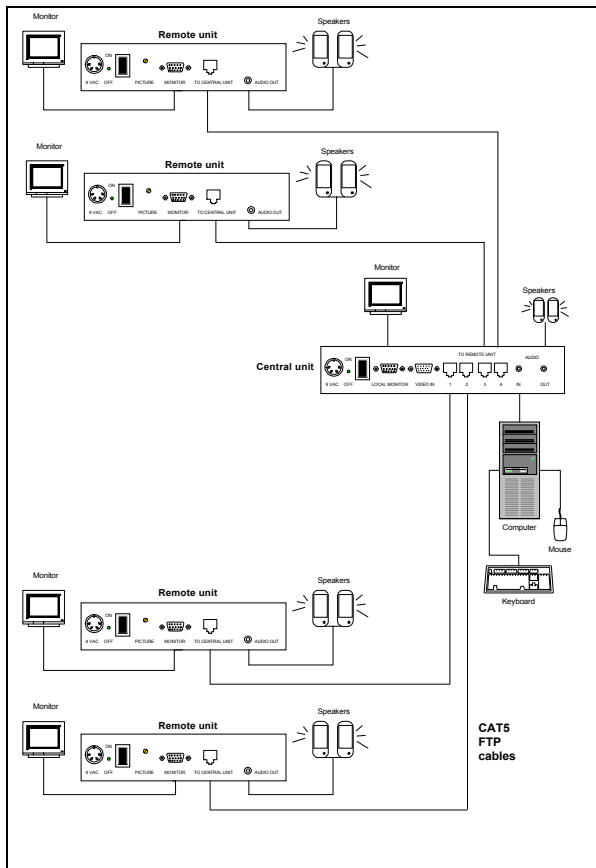


Figure 1 The AV Splitter system configuration

Installing the AV Splitter system

Before installing the system do the following:

- Place cables away from fluorescent lights, air conditioners, and machines that are likely to generate electrical noise.
- Ensure that the distance from the Central unit to each Remote unit does not exceed the maximum cable length.

Connecting the Central unit

Figure 2 illustrates the ports and functions of the 4-port Central unit back panel.

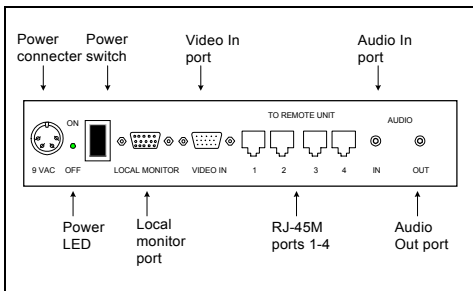


Figure 2 The Central unit back panel

Connect the following to both models of the Central unit back panel:

- Monitor's cable
- VGA cable
- CAT5 cables
- Speakers (optional)
- Stereo Plug cable
- Power adapter

Figure 3 below illustrates the back panel connections of the 4-port model.

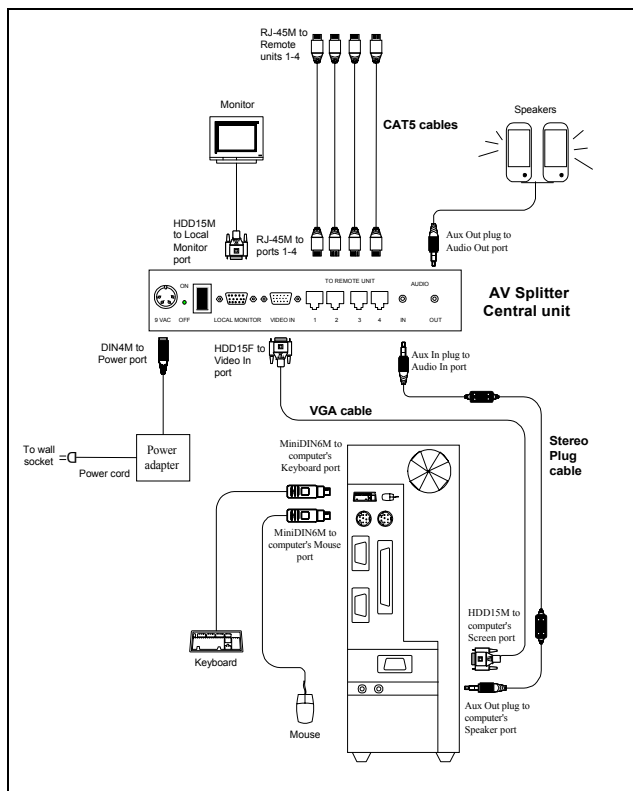


Figure 3 The Central unit back panel connections

Connecting the remote units

Connect the following to each remote unit's back panel:

- Monitor's cable
- CAT5 cable
- Speakers
- Power adapter

Figure 4 below illustrates the Remote unit and Remote Long range unit back panel connections.

Note! The Remote Long Range unit also has a brightness adjuster (not illustrated in figure 4).

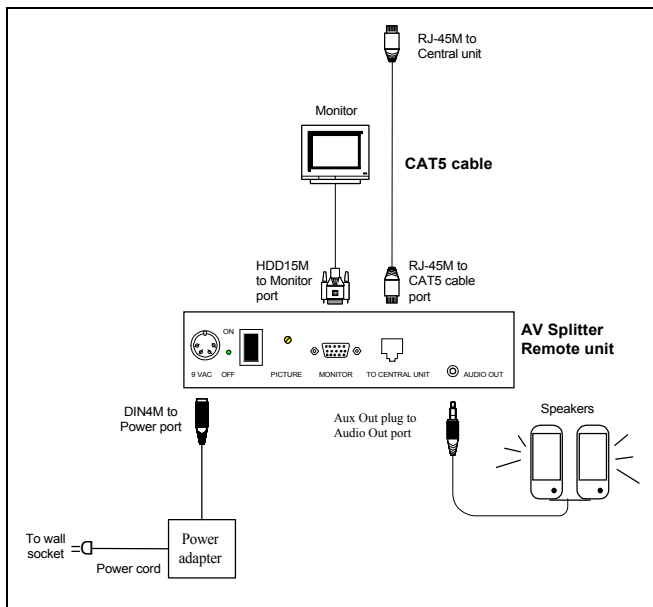


Figure 4 The Remote unit back panel connections

Operating the AV Splitter system

To prepare the system for operation:

1. Connect the AV Splitter system.
2. Switch on the computer.
3. Switch on the AV Splitter units.

The computer screen image and audio sound will be broadcast to all the remote units.

Adjusting the screen picture

When the picture on a remote screen needs adjusting, use a screwdriver to turn the Picture Adjuster on the remote unit.

The Long Range Remote unit – Adjusting the brightness

When the picture brightness on a remote screen needs adjusting, use a screwdriver to turn the Brightness (BR) Adjuster on the Remote unit.

Adjusting the volume

Use the Windows volume control to adjust the volume of all Remote units simultaneously. Or adjust the individual speakers at each remote unit.

Technical Specifications

| | |
|------------------------------|---|
| Resolution | Up to 1280 x 1024 - 75 Hz |
| Dimensions | Central unit 30mm x 78mm x 224mm Remote unit 30mm x 78mm x 157mm Remote Long Range unit 30mm x 110mm x 190mm |
| Weight | Central unit - 450g Remote unit - 260g Remote Long Range unit 575g |
| Power supply | External 110V or 220V 2 x 9VAC 2A |
| Operating temperature | Up to 50°C |
| Storage temperature | - 40°C to 70°C |
| Screens | VGA, SVGA, XGA |

Video Interface Video Signal: Analog Signal Red Green
Blue 0.7V_{p-p}/75 Ω positive
Sync: TTL Compatible
Horizontal: Sync. positive/negative
Vertical: Sync. positive/negative
Impedance: 75 Ohms

Horizontal frequency: 30-100 KHz

Vertical frequency: 43-100 KHz

Audio specs

Frequency response 20Hz – 16KHz (-3db)

V in V out max 2vp-p

MINICOM

Advanced Systems Ltd.

Headquarters

Minicom Advanced
Systems Ltd.

Jerusalem Israel

Tel: +972 2 651 8593

Fax: +972 2 651 8971

USA

Minicom Advanced
Systems Inc.

New Jersey, USA

Tel: toll free:

+1 888 486 2154

Tel: +1 908 486 2100

Fax: +1 908 486 7788

German Europe

Minicom Advanced Systems
GmbH

Zurich, Switzerland

Tel: +41 1 455 6220

Fax: +41 1 455 6225

Italy

Minicom Advanced
Systems Srl.

Rome, Italy

Tel: +39 06 8209 7902

Fax: +39 06 8209 7903

www.minicom.it

Web site - www.minicom.com

Customer service - minicom@minicom.com
